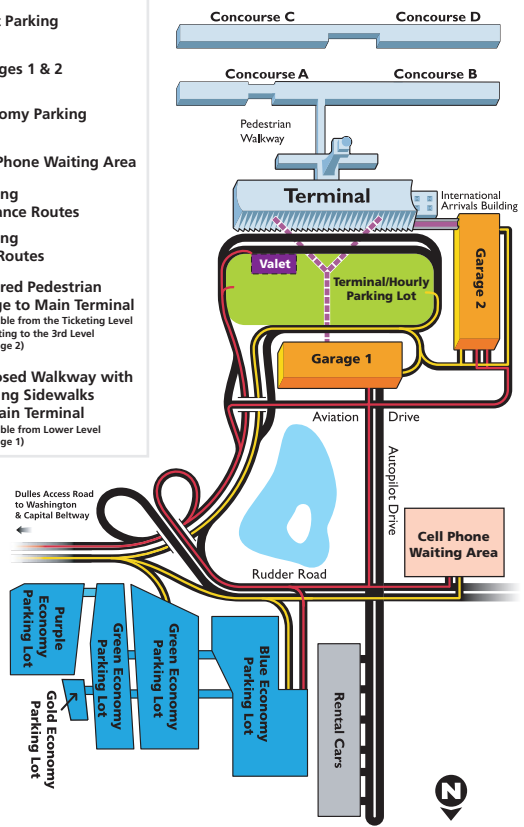
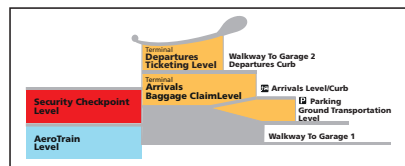


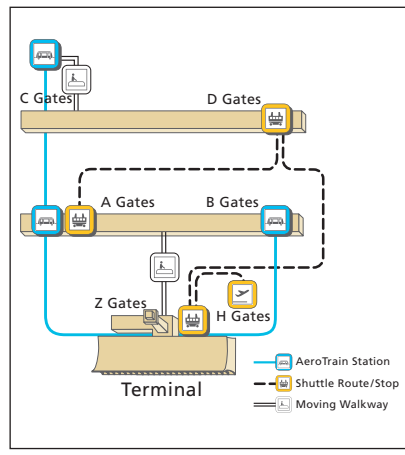
- Terminal/Hourly Parking
- Valet Parking
- Garages 1 & 2
- Economy Parking
- Cell Phone Waiting Area
- Parking Entrance Routes
- Parking Exit Routes
- Covered Pedestrian Bridge to Main Terminal (accessible from the Ticketing Level connecting to the 3rd Level of Garage 2)
- Enclosed Walkway with Moving Sidewalks to Main Terminal (accessible from Lower Level of Garage 1)



- ### AIRLINE TICKET COUNTERS
- 1 Aeroflot
 - 1 AeroMexico
 - 1 Air China
 - 2 Air France
 - 3 ANA
 - 2 American Airlines
 - 3 Austrian Airlines
 - 3 Avianca
 - 1 British Airways
 - 2 Brussels Airlines
 - 2 Copa
 - 1 Delta
 - 2 Emirates
 - 1 Ethiopian
 - 1 Etihad Airways
 - 3 Frontier Airlines
 - 3 Icelandair
 - 3 JetBlue
 - 2 KLM
 - 2 Korean Air
 - 3 Lufthansa
 - 3 Porter
 - 2 Qatar Airways
 - 2 Saudia
 - 3 SAS
 - 3 South African
 - 1 Southwest
 - 3 Sun Air / Pacific Wings
 - 3 Turkish Airlines
 - 4 United/United Express
 - 2 US Airways/Express
 - 1 Virgin America
 - 2 Virgin Atlantic



Level Indicator



AeroTrain Map (serves Main Terminal and airline gates)

ALL EMERGENCIES	911
Police/Fire/Ambulance (Non-Emergency)	703-572-2400
Police Station (Non-Emergency)	703-572-2950
Airport Information	703-572-2700



TERMINAL

DEPARTURES/TICKETING LEVEL

-
-
-
-
-
-
-
-
-
-

SECURITY CHECKPOINT LEVEL

-
-
-
-

AEROTRAIN LEVEL TO ALL GATES

-
-
-

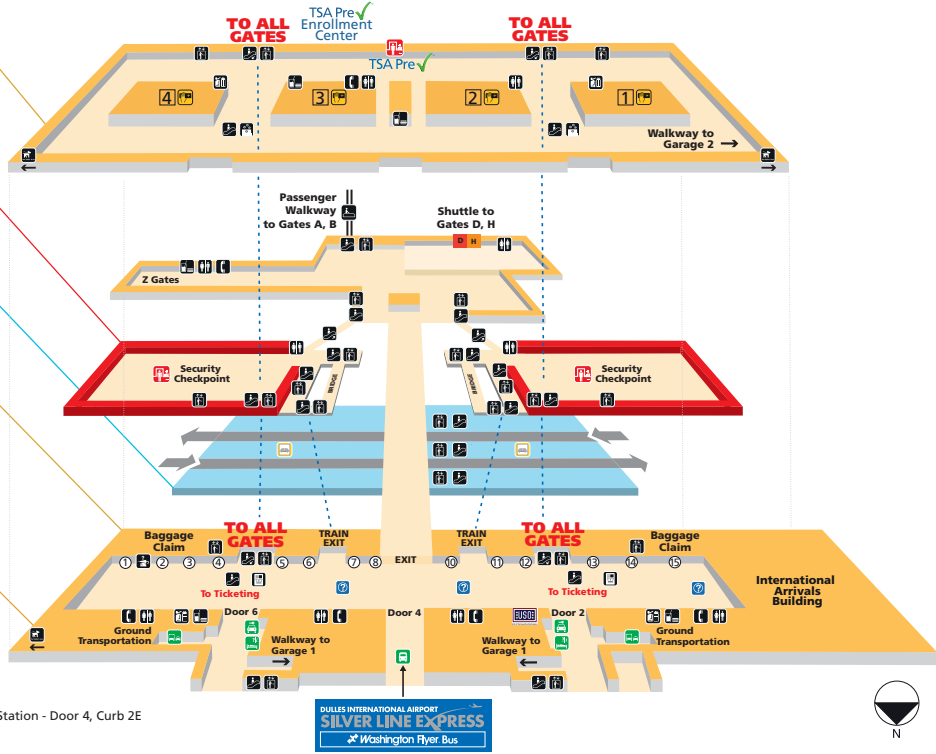
ARRIVALS/BAGGAGE CLAIM LEVEL

-
-
-
-
-
-
-
-
-
-
-
-

GROUND TRANSPORTATION LEVEL

-
-
-
-
-
-
-

Air & Space Museum Shuttle Bus - Curb 2E
 Hotel Pick Up - Door 2, Curb 2A or Door 6, Curb 2H
 Garage 1 & 2/Economy Parking Shuttles
 Metrobus Route 5A - Door 4, Curb 2E
 Washington Flyer Silver Line Express service to/from Wiehle-Reston East Metro Station - Door 4, Curb 2E
 Rental Car Shuttle - Door 4, Curb 2E



Information effective 08/2014 and is subject to change without prior notice.